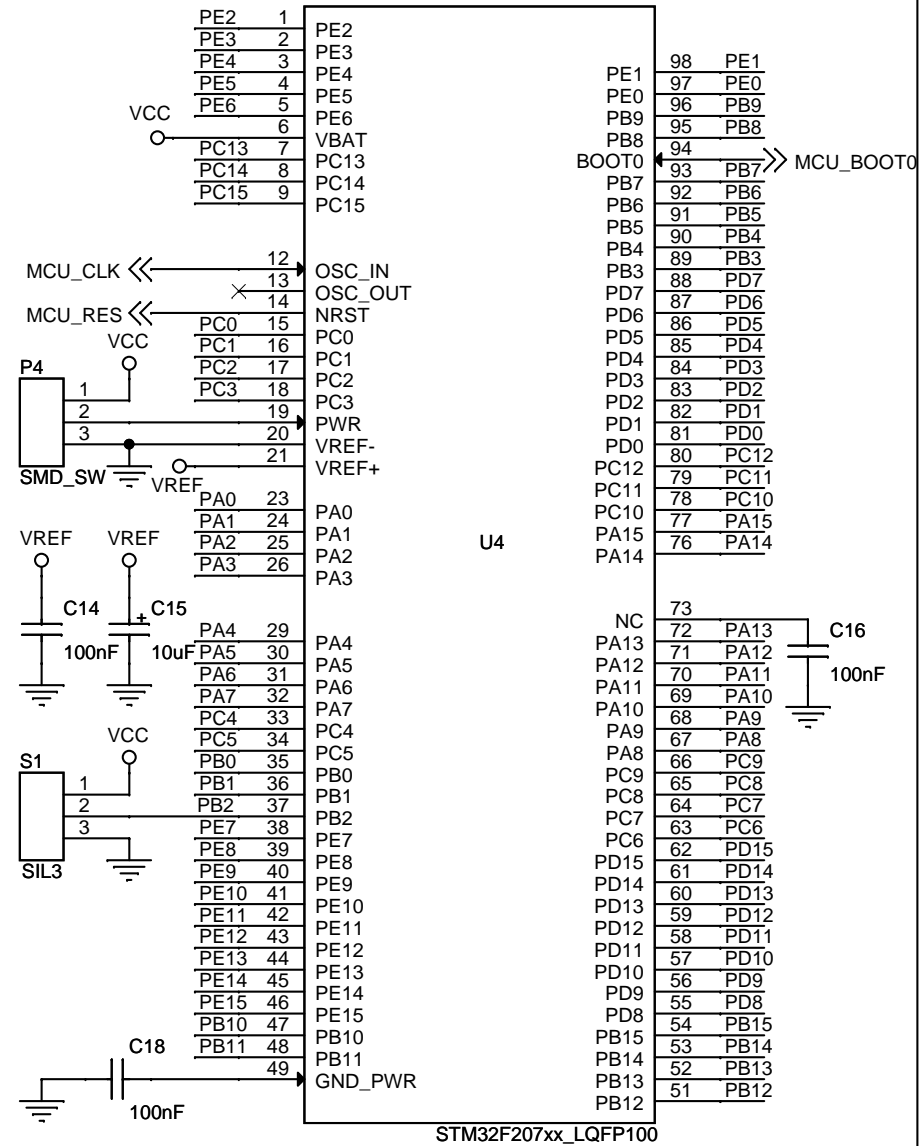
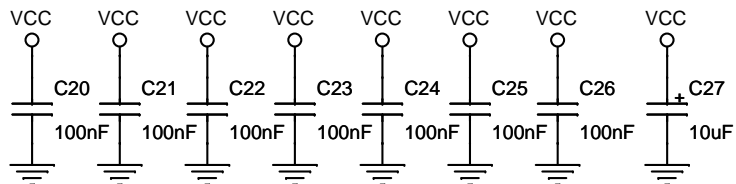


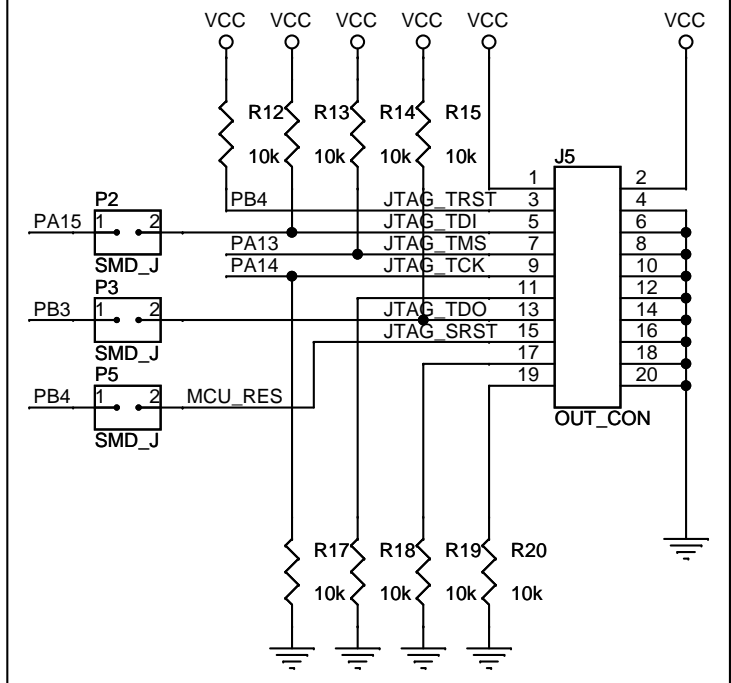
MCU STM32F207(407)VC (107 COMPATIBLE)



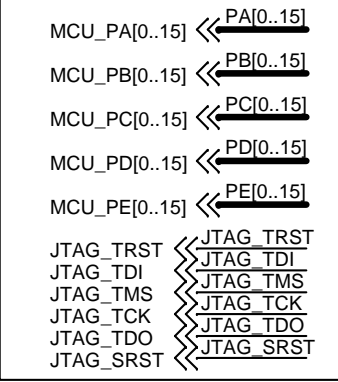
STM32F207xx_LQFP100



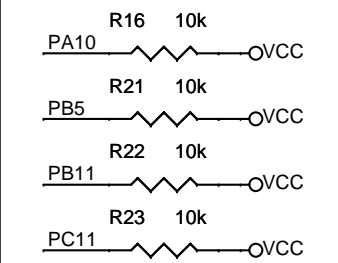
JTAG CONNECTOR



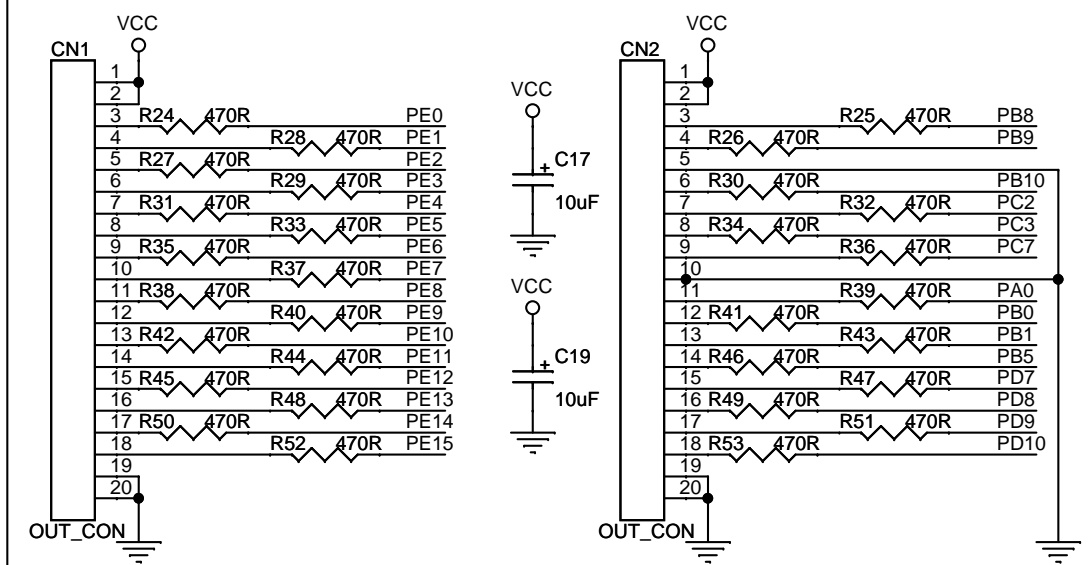
OFF PAGE CONNECTOR



USB BOOT

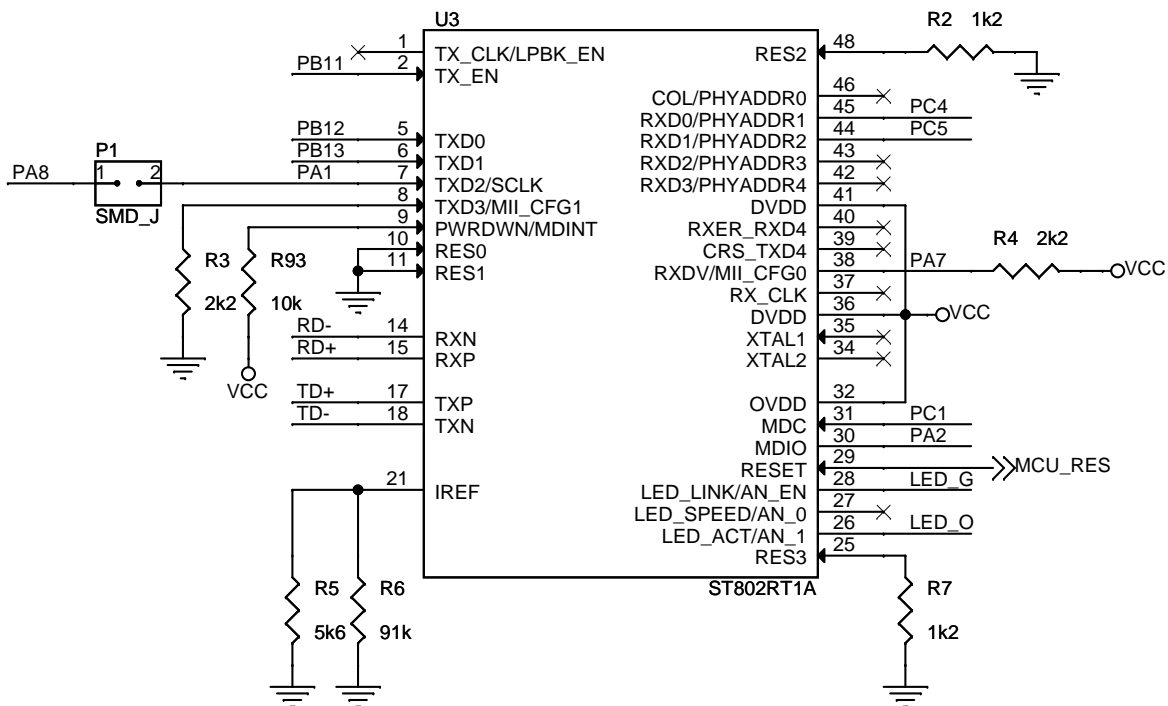
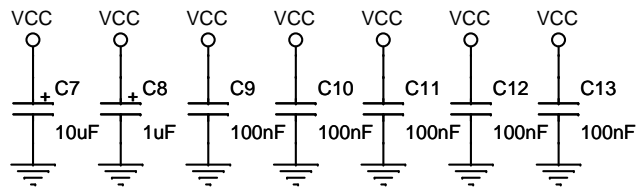


USER IO CONNECTORS

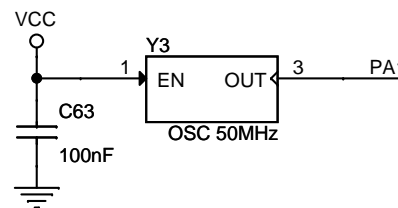


MCU 3 / 5

ST802RT1A PHY (RMII)



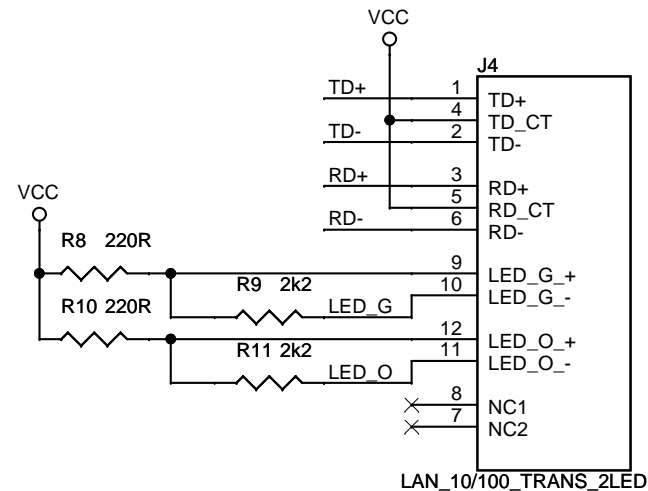
PHY CLOCK (OPTIONAL)



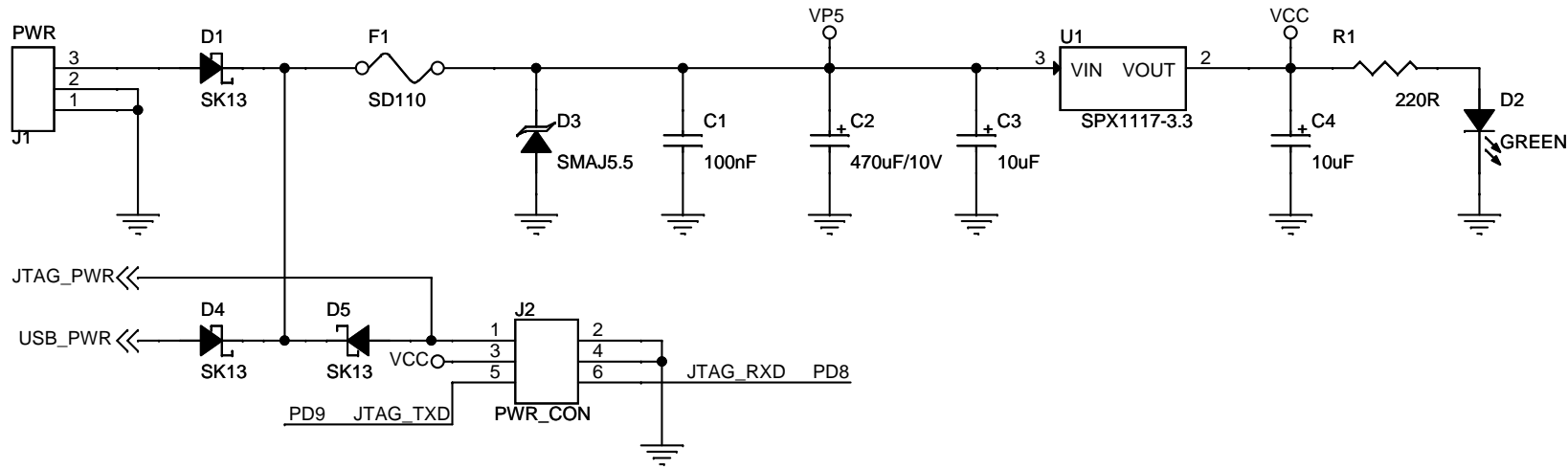
OFF PAGE CONNECTOR

- MCU_PA[0..15] << PA[0..15]
- MCU_PB[0..15] << PB[0..15]
- MCU_PC[0..15] << PC[0..15]
- MCU_PD[0..15] << PD[0..15]
- MCU_PE[0..15] << PE[0..15]

ETHERNET CONNECTOR



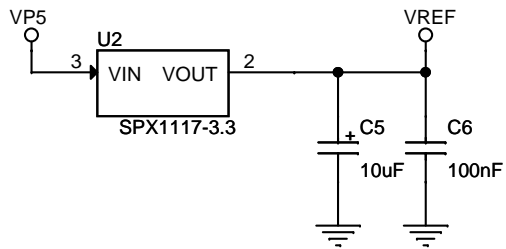
POWER SYSTEM



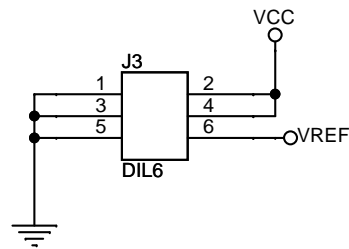
OFF PAGE CONNECTOR

- MCU_PA[0..15] << PA[0..15]
- MCU_PB[0..15] << PB[0..15]
- MCU_PC[0..15] << PC[0..15]
- MCU_PD[0..15] << PD[0..15]
- MCU_PE[0..15] << PE[0..15]
- JTAG_RXD << JTAG_RXD
- JTAG_TXD << JTAG_TXD

VOLTAGE REFERENCE 3.3V



POWER OUT CONNECTOR



THRU BOARD CONNECTIONS		OFF PAGE CONNECTOR	
VCC2	VCC	JTAG_TRST	JTAG_TRST
		JTAG_TDI	JTAG_TDI
		JTAG_TMS	JTAG_TMS
		JTAG_TCK	JTAG_TCK
		JTAG_TDO	JTAG_TDO
JTAG_PWR	VCC_U	JTAG_SRST	JTAG_SRST
		JTAG_RXD	JTAG_RXD
		JTAG_TXD	JTAG_TXD

